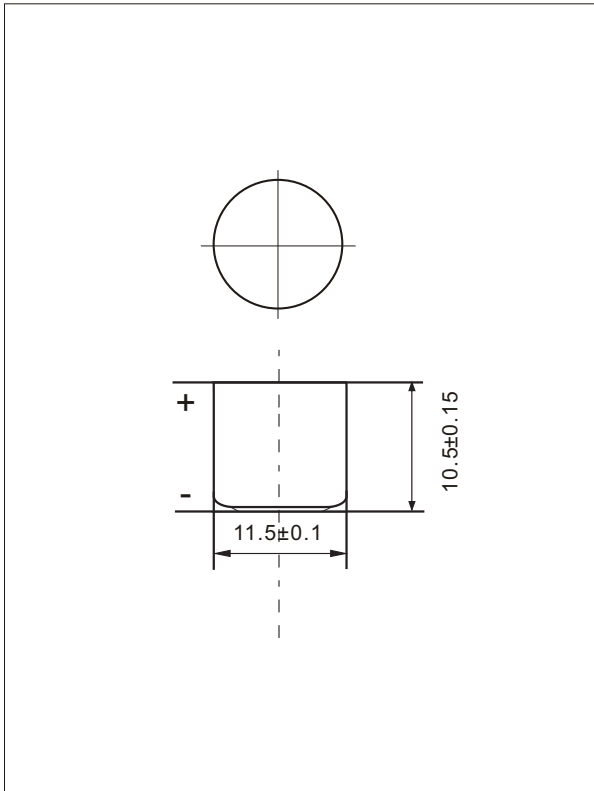


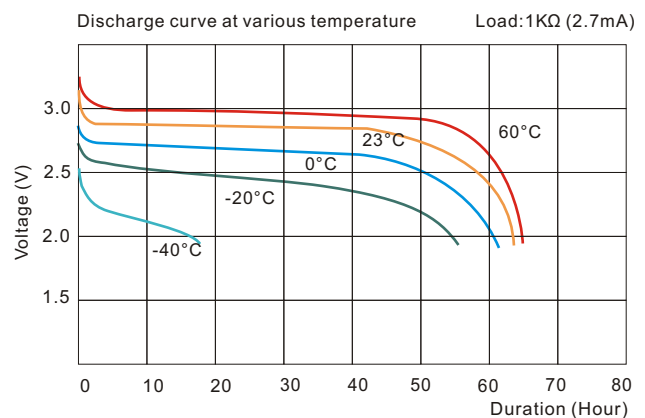
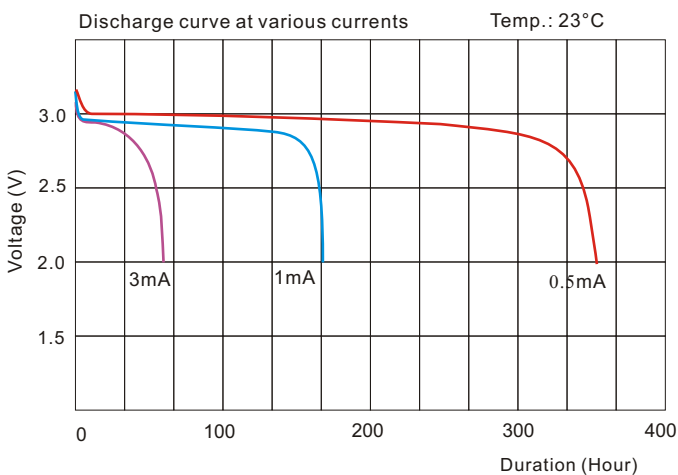
CR1/3N Specification

Lithium Manganese Dioxide Battery

(Li / MnO₂) 3V, 160mAh



Nominal Voltage		3V
Nominal Capacity (mAh)		160mAh
Standard Discharge Current		1mA
Weight		3.2g
Maximum	Diameter	11.5±0.1mm
Dimension	Height	10.5±0.15mm
Max. Discharge	Continuous	10mA
Current	Pulse	60mA
Operating Temperature Range		-40°C - 60°C



WARNING: Risk of fire and burn. Do not recharge, disassemble, heat above 100°C or incinerate. Do not mix fresh batteries with used batteries.

**Note: The data in this document are for descriptive purposes only and subject to change without prior notice.