

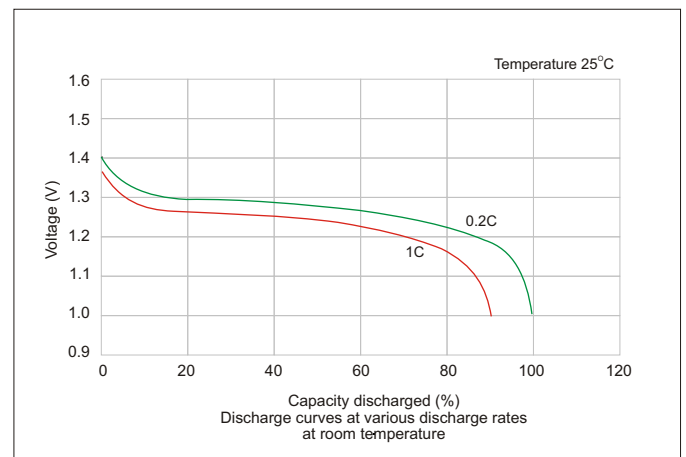
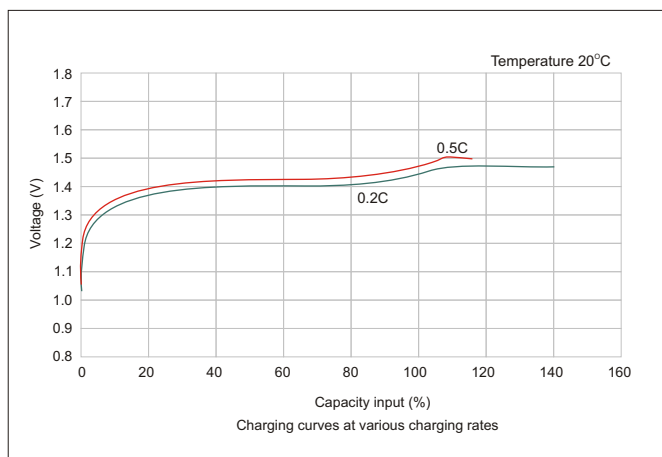
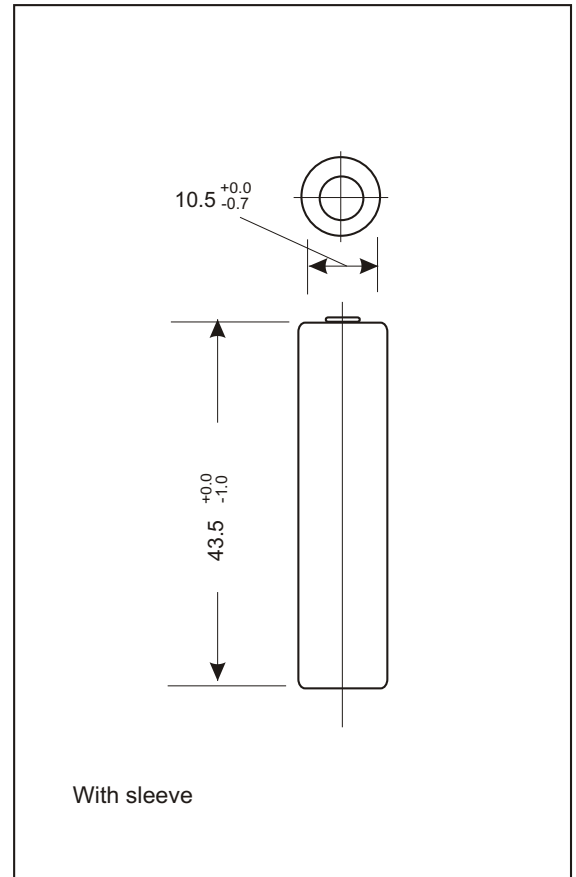
## MH-700AAA Specification

NiMH Cylindrical Battery

Size: AAA

### Typical Characteristics

Model: MH-700AAA		
Specifications		
Nominal Voltage (V)		
	1.2V	
Capacity	Typical (mAh)	735
	Minimum (mAh)	700
Dimension	Diameter (mm)	10.5 <sup>+0.0</sup> / <sub>-0.7</sub>
	Height (mm)	43.5 <sup>+0.0</sup> / <sub>-1.0</sub>
Charging	Standard	70mA x 16 hrs
	Rapid	350mA x 2.4 hrs -ΔV = 5mV
	Trickle	35mA x 48 hrs
Operating Temperature (°C)	Standard Charging	0 ~ 45°C
	Rapid Charging	10 ~ 40°C
	Discharging	-20 ~ 60°C
	Storage	-20 ~ 35°C
Service Life	>500 cycles (IEC standard)	
Internal Resistance	55m Ohm (upon fully charged)	
Weight	Approx. 12g	
Cuff-off Voltage (V)	1.00	



Note: \*Discharge capacity when the battery unit is discharged at 140mA to 1.0V end voltage after being charged at 70mA for 16 hours.

\*\* Please discharge to 1.0V end voltage with 140mA before charging the battery unit.