

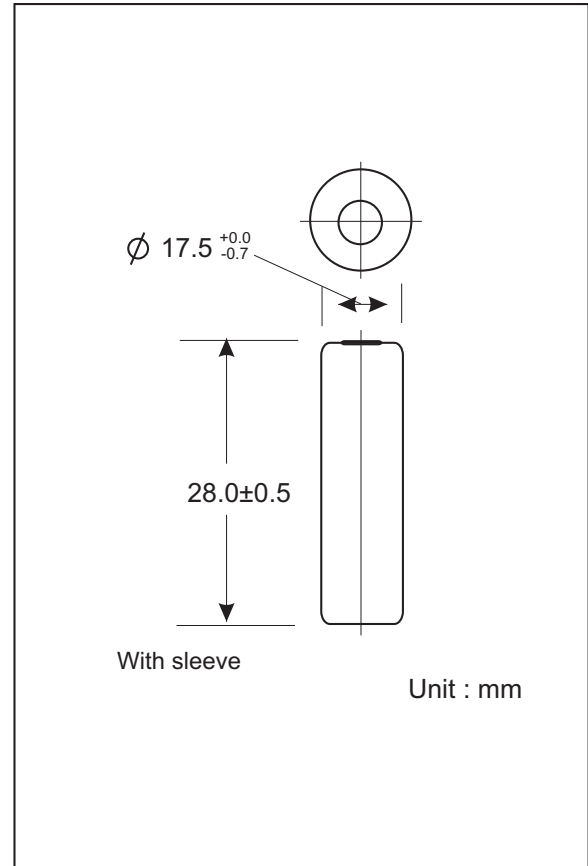
MH-1000A Specification

NiMH Cylindrical Battery

Size: 1/2A

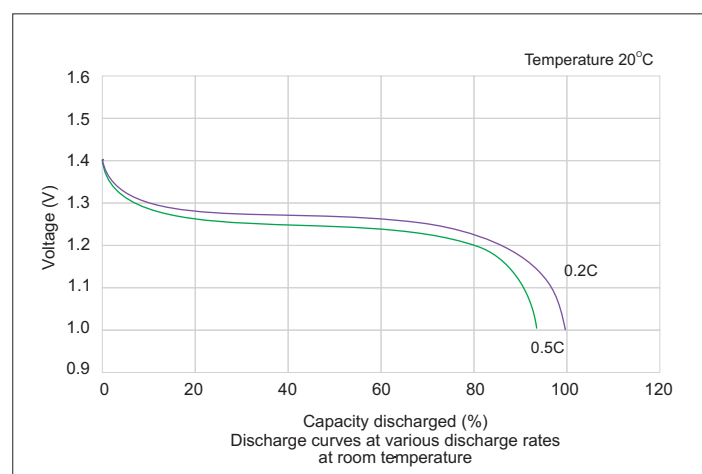
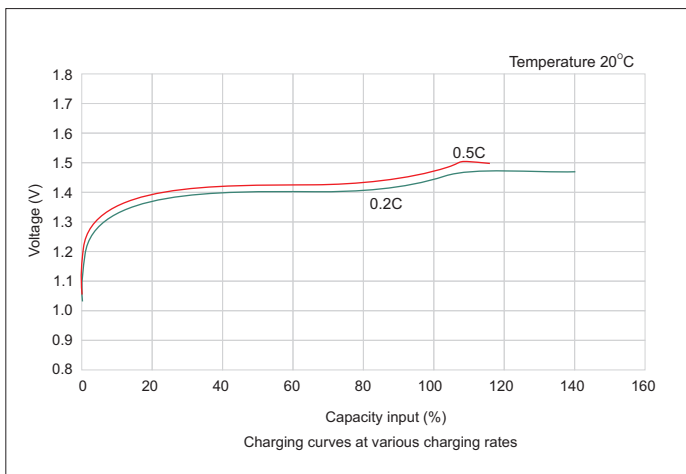
Typical Characteristics

Model: MH-1000A		
Specifications		
Nominal Voltage (V)		
1.2V		
Capacity*	Typical (mAh)	1000
	Minimum (mAh)	1000
Dimension	Diameter (mm)	17.5 ^{+0.0} / _{-0.7}
	Height (mm)	28.0±0.5
Charging**	Standard	100mA x 16 hrs
	Rapid	500mA x 2.4 hours - ΔV=10mV
Operating Temperature (°C)	Standard Charging	0 ~ 40°C
	Rapid Charging	10 ~ 30°C
	Discharging	-20 ~ 50°C
	Storage	-20 ~ 30°C
Service Life	>500 cycles (IEC 61951-2(2003)7.4.1)	
Internal Resistance	32m Ohm (upon fully charged)	
Weight	Approx.20g	
Cuff-off Voltage (V)	1.00	



Note: *Discharge capacity when the battery unit is discharged at 300mA to 1.0V end voltage after being charged at 100mA for 16 hours.

** Please discharge to 1.0V end voltage with 300mA before charging the battery unit.



Note: The data in this document are for descriptive purposes only and subject to change without prior notice.